

MODEL PT-38

SPECIFICATIONS

Model PT-38 is a five tube superheterodyne radio, covering a frequency range from 540 to 1720 kilocycles (K. C.) on the broadcast band and from 5.5 to 19 megacycles (M. C.) on the short-wave band.

INTERMEDIATE FREQUENCY: 470 K. C.

POWER SUPPLY: Operates on either a 115 volt alternating current (A. C.) or 115 volt direct current (D. C.) power supply.

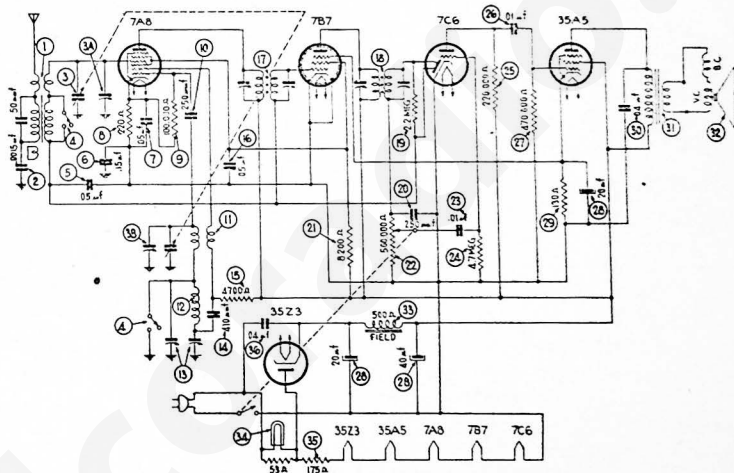
Note—If no sound is heard on D. C. circuits, after the tubes are sufficiently heated, reverse the plug of the cable in the

outlet. If a slight hum is heard when operating on an A. C. power supply, the power plug should be reversed.

PHILCO TUBES USED: One 7A8, converter; one 7B7, I. F. amplifier; one 7C6, 2nd detector, 1st audio, A. V. C.; one 35A5, audio output and one 35Z3, rectifier.

AERIAL: A twenty foot indoor aerial wire is attached to the radio for average receiving conditions. To obtain best reception in apartment houses, hotels, or steel reinforced buildings where signal strength is weak, a Philco Utility Aerial, Part No. 40-6384, is recommended.

ALIGNING PROCEDURE: The instructions for aligning the R. F. and I. F. compensators will be found on page 7.



REPLACEMENT PARTS

SCH. No.	DESCRIPTION	PART No.	SCH. No.	DESCRIPTION	PART No.	SCH. No.	DESCRIPTION	PART No.
1	Antenna Transformer	32-3233	21	Resistor (8,200 ohms, ¼ watt)	33-282334	34	Pilot Lamp	34-2088
2	Tubular Condenser (.0015 mf., 200 v.)	30-4555	22	Volume Control	33-5308	35	Line Resistor	33-3367
3	Tuning Condenser	31-2431	23	Tubular Condenser (.01 mf., 400 v.)	30-4572	36	Tubular Condenser (.04 mf., 400 v.)	30-4119
4	Wave Switch	42-1497	24	Resistor (4.7 megohms, ¼ watt)	33-547154	MISCELLANEOUS PARTS		
5	Tubular Condenser (.04 mf., 200 v.)	30-4519	25	Resistor (220,000 ohms, ¼ watt)	33-522154	Cable	L-3199	
6	Tubular Condenser (.15 mf., 400 v.)	30-4600	26	Tubular Condenser (.01 mf., 400 v.)	30-4572	Cabinet	10448A	
7	Tubular Condenser (.05 mf., 200 v.)	30-4519	27	Resistor (470,000 ohms, ¼ watt)	33-447154	Chip	28-5002	
8	Resistor (220 ohms, ¼ watt)	33-123336	28	Electrolytic Condenser	30-2402	Cardboard Back	27-9359	
9	Resistor (100,000 ohms, ¼ watt)	33-410154	29	Resistor (150 ohms, ½ watt)	33-113336	Dial	27-5571	
10	Mica Condenser (250 mmf.)	61-0033	30	Tubular Condenser (.04 mf., 400 v.)	30-4119	Dial Drive Cord	31-2393	
11	Short Wave Oscillator Trans.	32-3234	31	Output Transformer—		Drive Shaft	31-2355	
12	BC Oscillator Transformer	32-3217		(for 36-1469-1)	32-8047	Knob	27-4809	
13	Dual Padding Condenser	31-6331		(for 36-1469-9)	32-8044	Pointer	27-4891	
14	Mica Condenser (410 mmf.)	30-1089		(for 36-1469-2)	32-8044	Socket, Pilot Lamp Assembly	38-9825	
15	Resistor (4700 ohms, ¼ watt)	33-247134	32	Speaker	36-1469	Socket	27-6130	
16	Tubular Condenser (.05 mf., 200 v.)	30-4519		Cone Assembly—		Spring	28-8954	
17	1st I. F. Transformer	32-3327		(for Speaker 36-1469-1)	36-4115	Snap Fastener	56-1387	
18	2nd I. F. Transformer	32-3150		(for Speaker 36-1469-9)	36-4113	Speaker	36-1469	
19	Resistor (2.2 megohms, ¼ watt)	33-522154		(for Speaker 36-1469-2)	32-4132	Screw (Chassis Mounting)	W-2030	
20	Mica Condenser (250 mmf.)	61-0033	33	Field Coil—Part of Speaker No.	36-1469			